

ELECTRIC SCISSOR LIFTS



OPTIMUM 1931 AC

Best driving and lifting experience

- AC powered
- High precision driving
- Smooth proportional movements
- Industry leading turning radius

Utmost versatility

- Able to go through standard doorways
- Mobile pothole protection
- Indoor - outdoor rated

Minimal maintenance and downtime

- Maintenance free AC motors
- Easy access with 2 swing out trays
- Haulotte ACTIV'Screen onboard diagnostic tool
- Smart transportability

Longer lifetime

- Extreme durability
- Optimized total cost of ownership

Haulotte 
GROUP

www.haulotte-usa.com



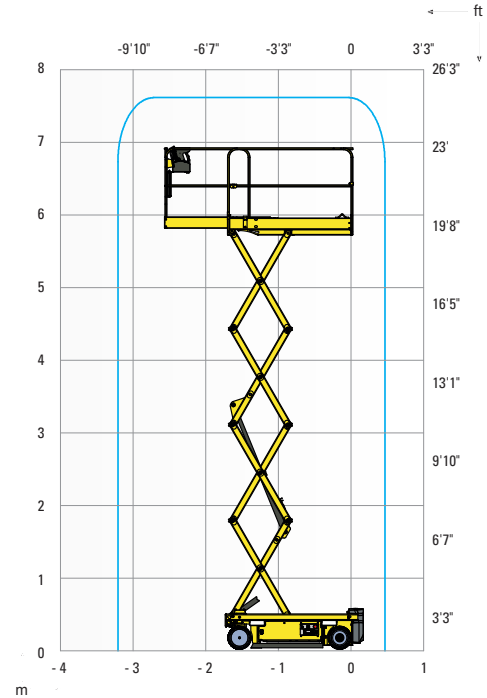
OPTIMUM 1931 AC

ELECTRIC SCISSOR LIFTS

TECHNICAL DATA

OPTIMUM 1931 AC

Working height	24 ft 11 in
Platform height	18 ft 11 in
Driveable at full height up to	18 ft 11 in
Lift capacity - inside	500 lbs
Lift capacity - outside	500 lbs
A Platform length - outside	5 ft 8 in
B Platform length - extended	8 ft 6 in
Extension length	2 ft 10 in
C Platform width - outside	2 ft 5 in
D Height - stowed	6 ft 6 in
E Overall width	2 ft 7 in
F Length	6 ft 3 in
G Wheelbase	4 ft 6 in
H Ground clearance	4 in
Ground clearance - Pothole guards deployed	1 in
Drive speed	0.3 - 2.8 mph
Gradeability	25 %
Tilt alarm	1.5° - 3°
Lift / lower speed	20 s / 29 s
Turning radius - outside	4 ft 11 in
Non-marking tires	12.5 x 4.13
Batteries	24 V - 225 Ah (C20)
Hydraulic system capacity	1.8 gal
Weight	2,800 lbs



STANDARD EQUIPMENT

- 24 V electric drive brushless AC motors
- Battery charge indicator
- Battery level indicator on upper and lower control boxes
- Haulotte ACTIV'Screen on-board diagnostic system
- 2 Swing out trays
- Lateral fork lifting pockets, lifting and tie down points
- Electrical or manual brake release system
- AC power to the platform
- Non-marking tires

OPTIONS AND ACCESSORIES

- Maintenance free batteries
- Pipe cradle
- Swing-door entry gate
- Flashing beacon
- Dual flashing beacons
- Working light
- AC Power to the platform (Standard on US machines)
- Hydraulic oil for cold climates

